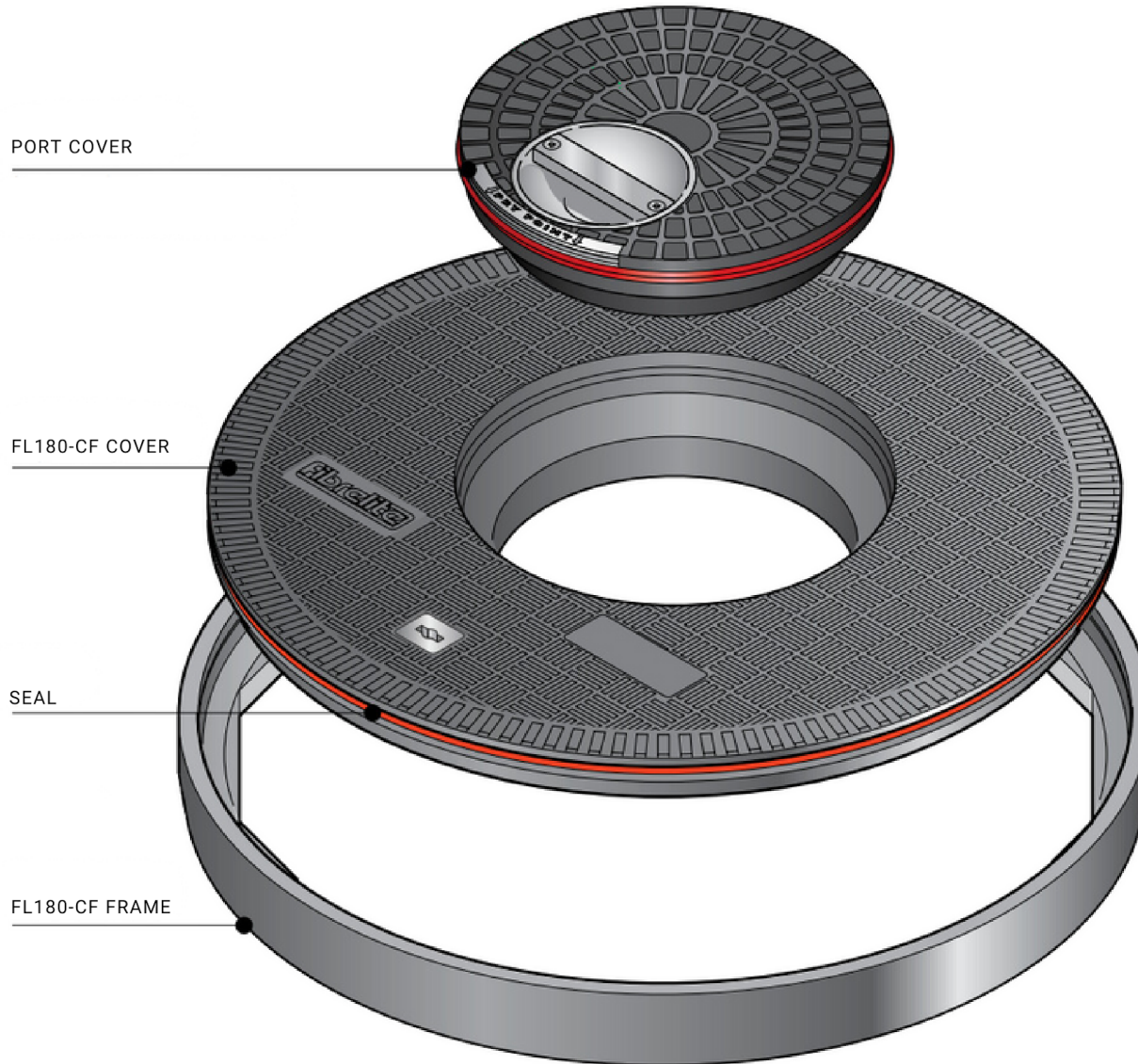
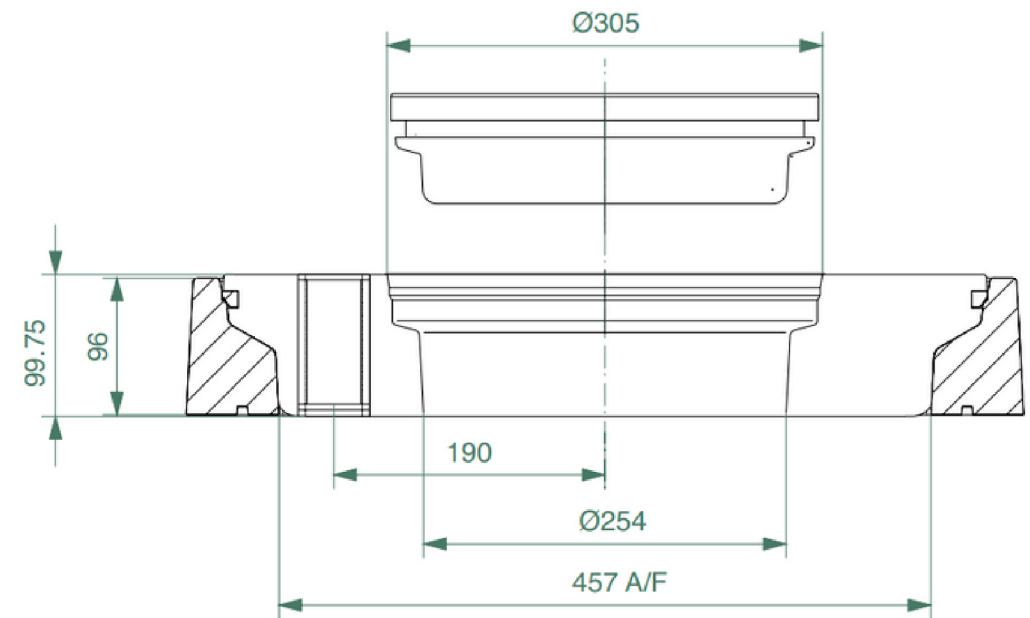
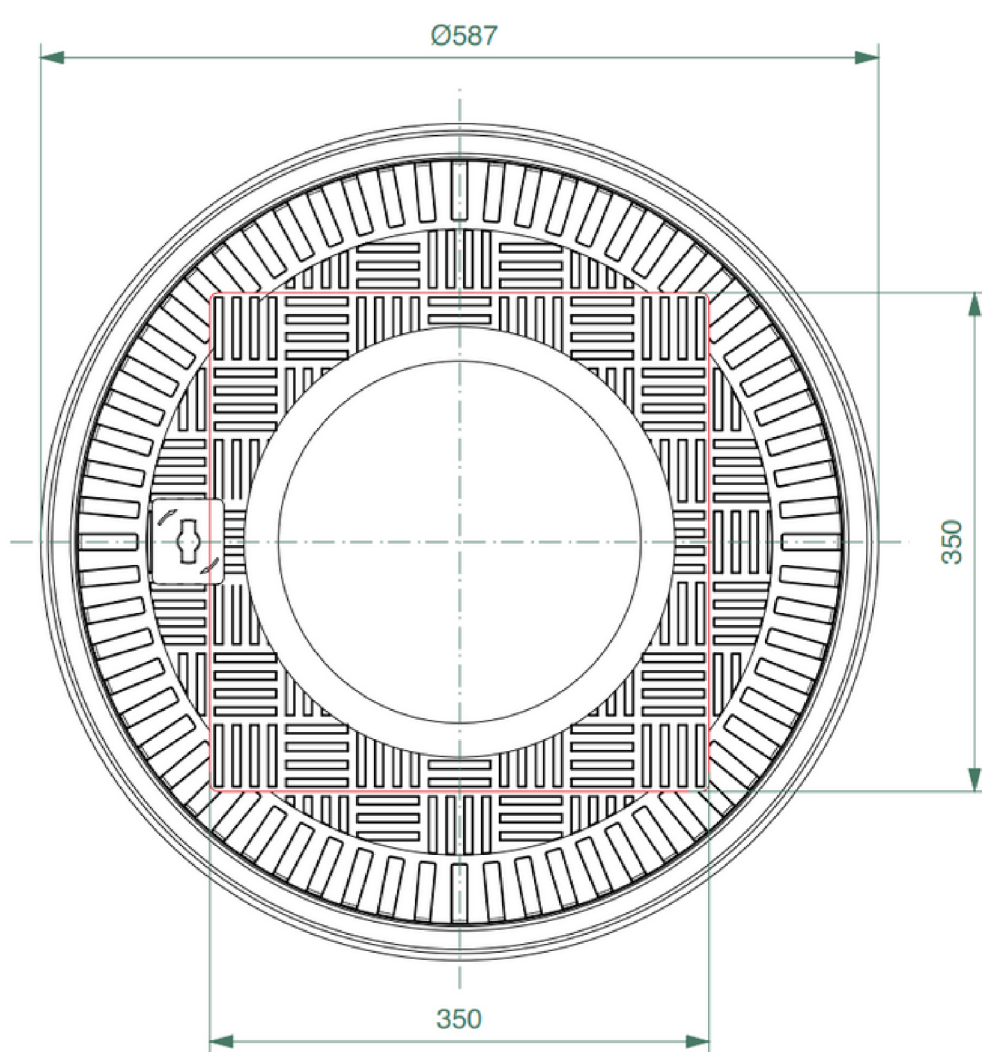


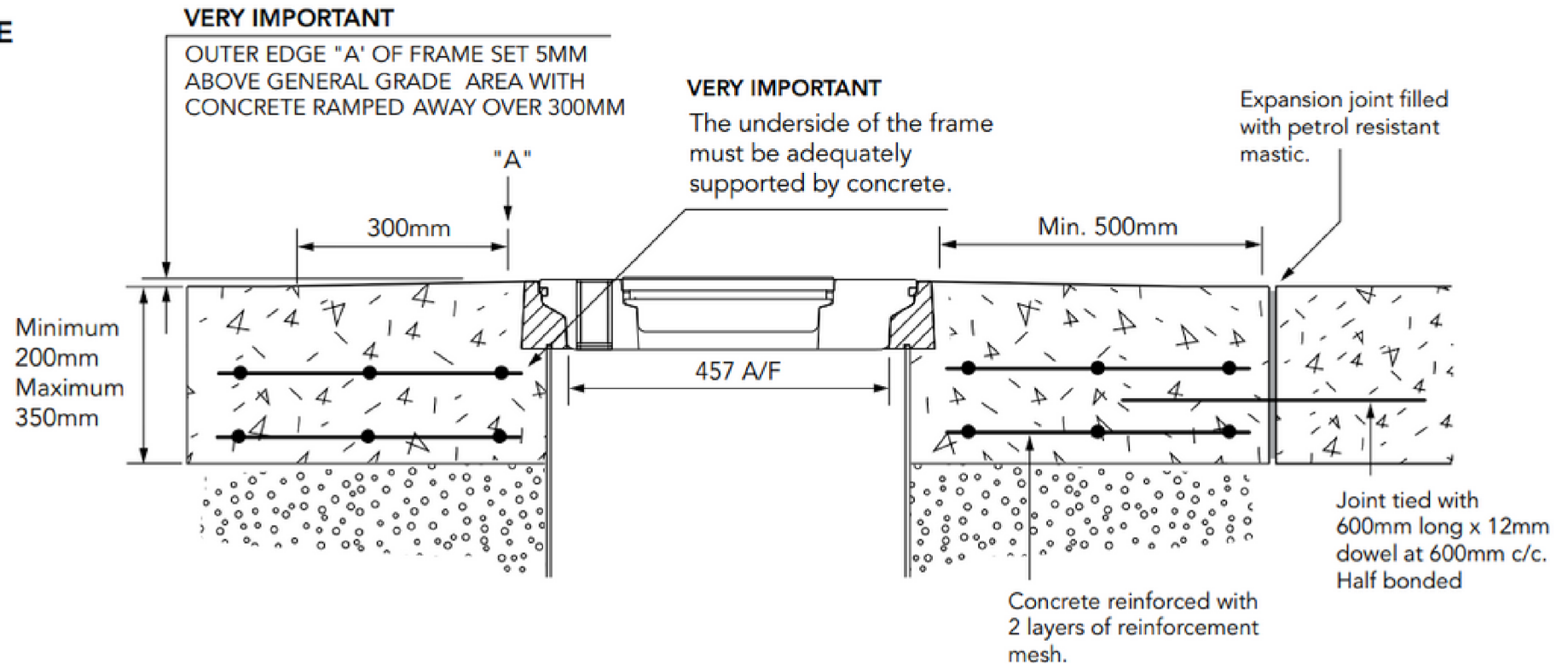
# FL180-CF





Load Rating	Cover Weight	Frame Weight
B125	--	5kg
C250	--	5kg
D400	--	5kg

## CONCRETE



## BLACKTOP

