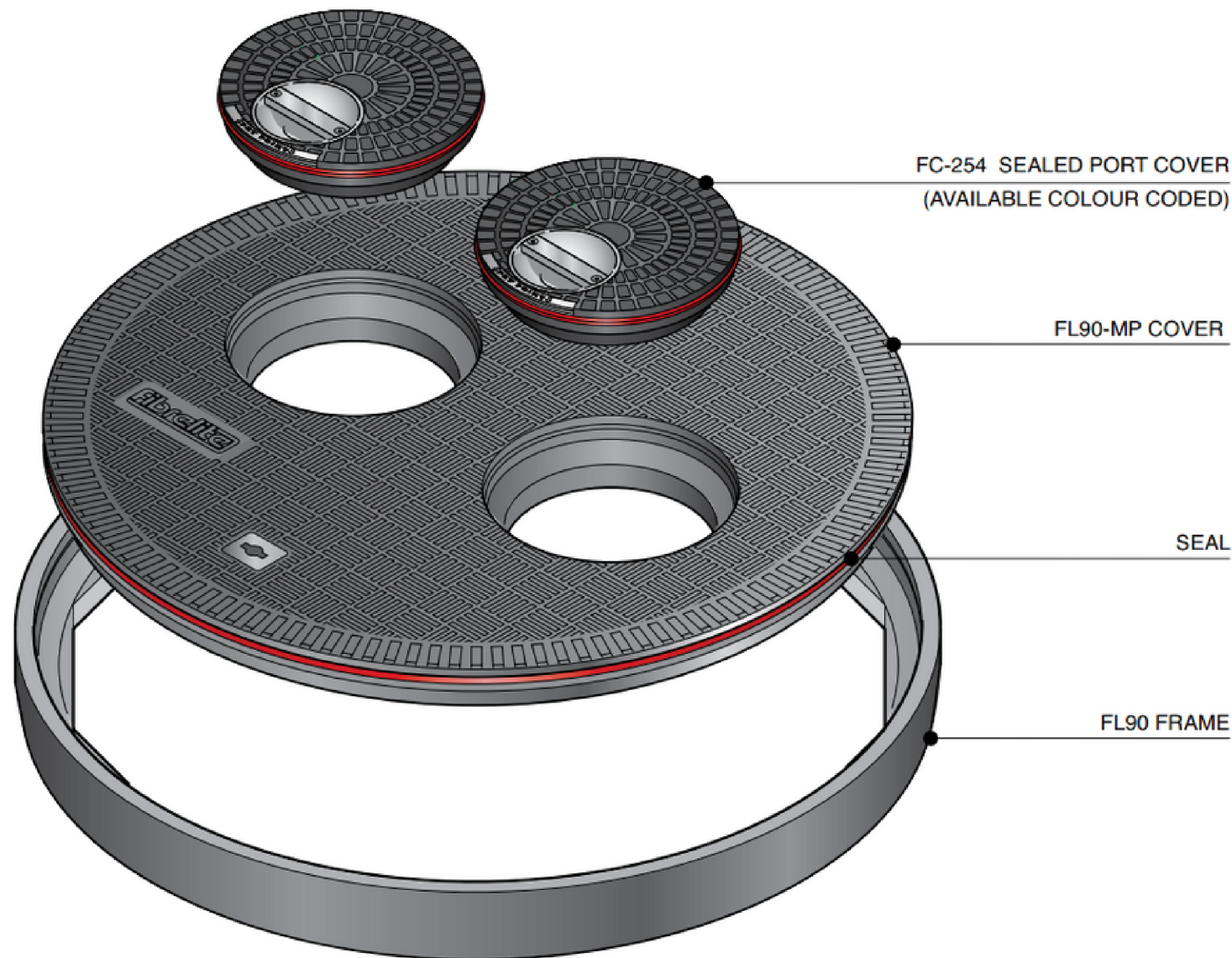
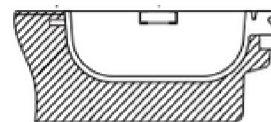
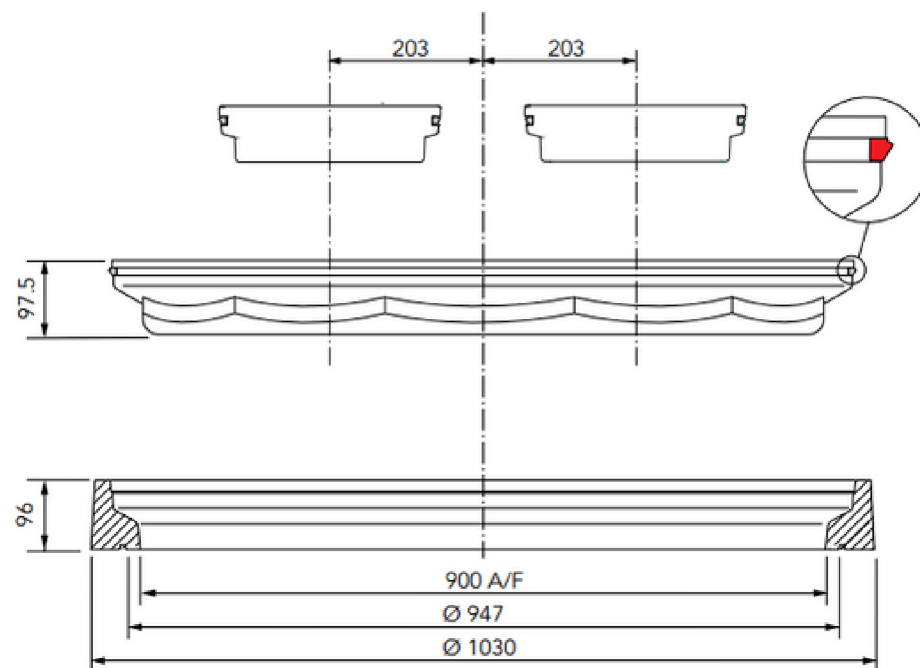
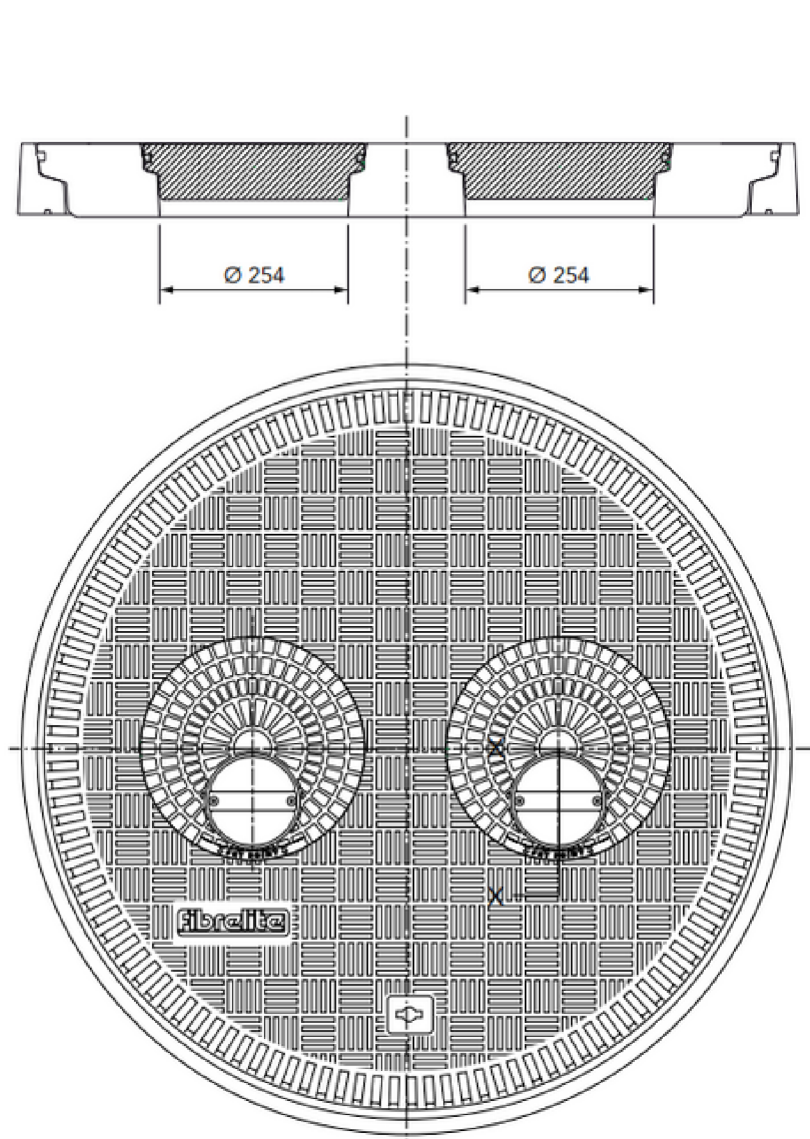


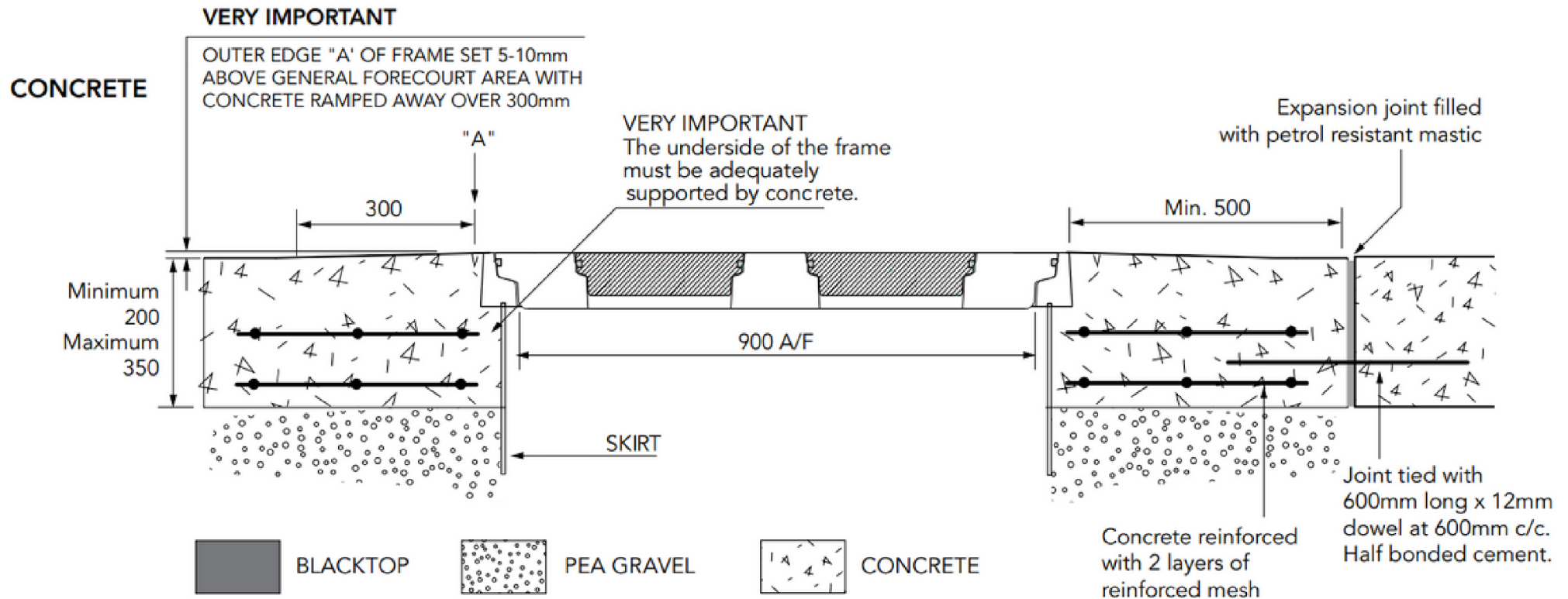
FL90-MP





SECTION X - X
HANDLE BOWL

Load Rating	Cover Weight	Frame Weight	Port Cover
C250	36 kg	9.5 kg	3 kg



BLACKTOP
(THICKNESS AS SPECIFIED)

