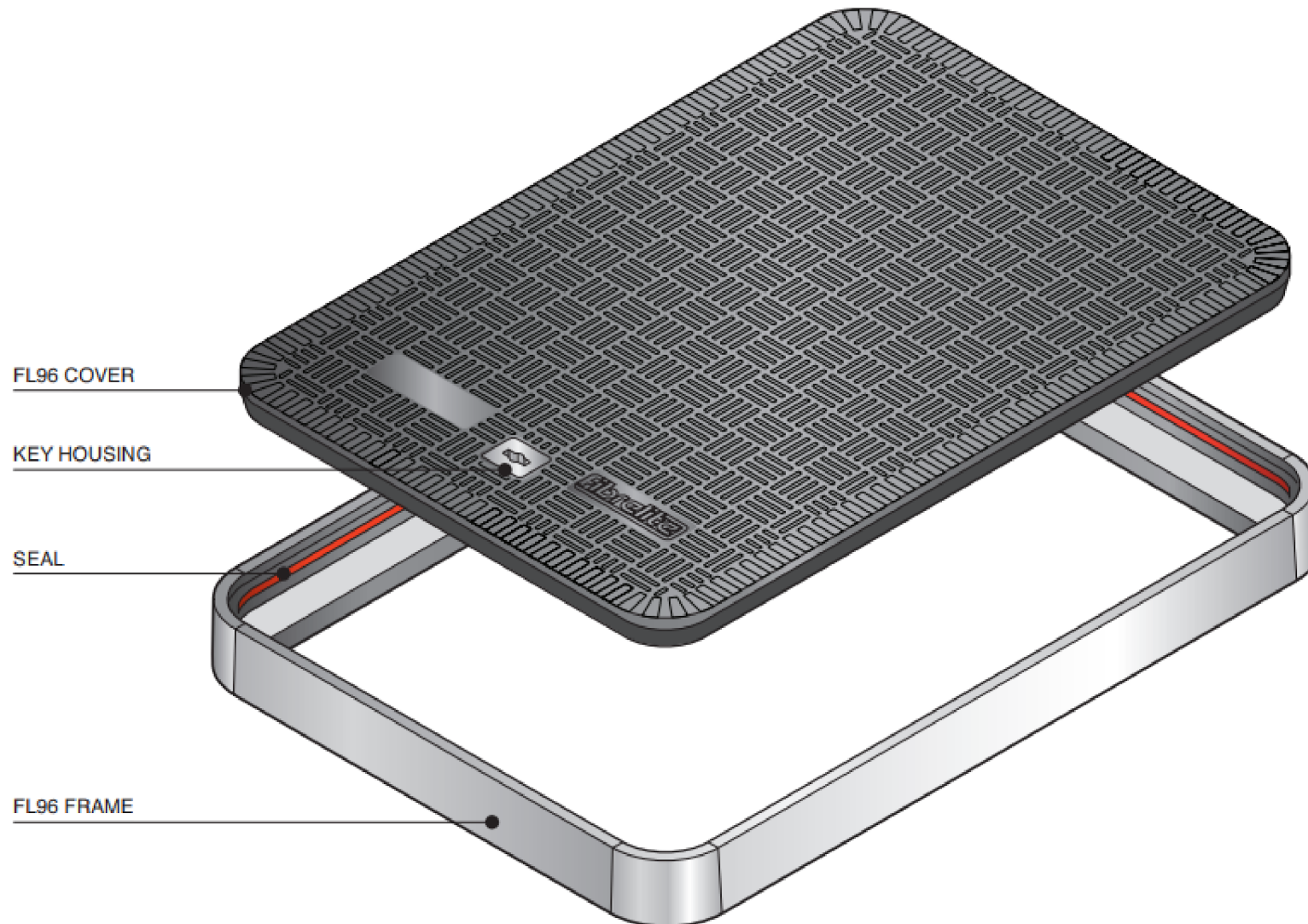
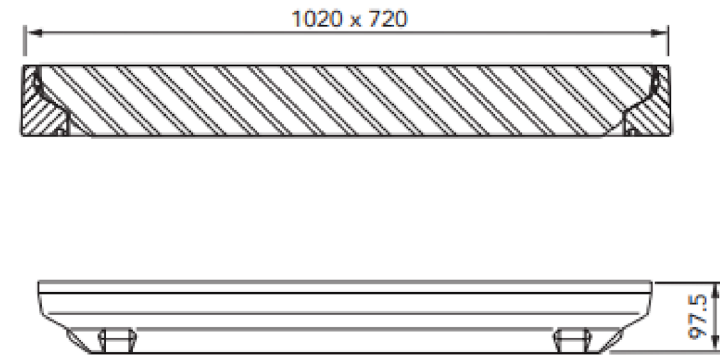
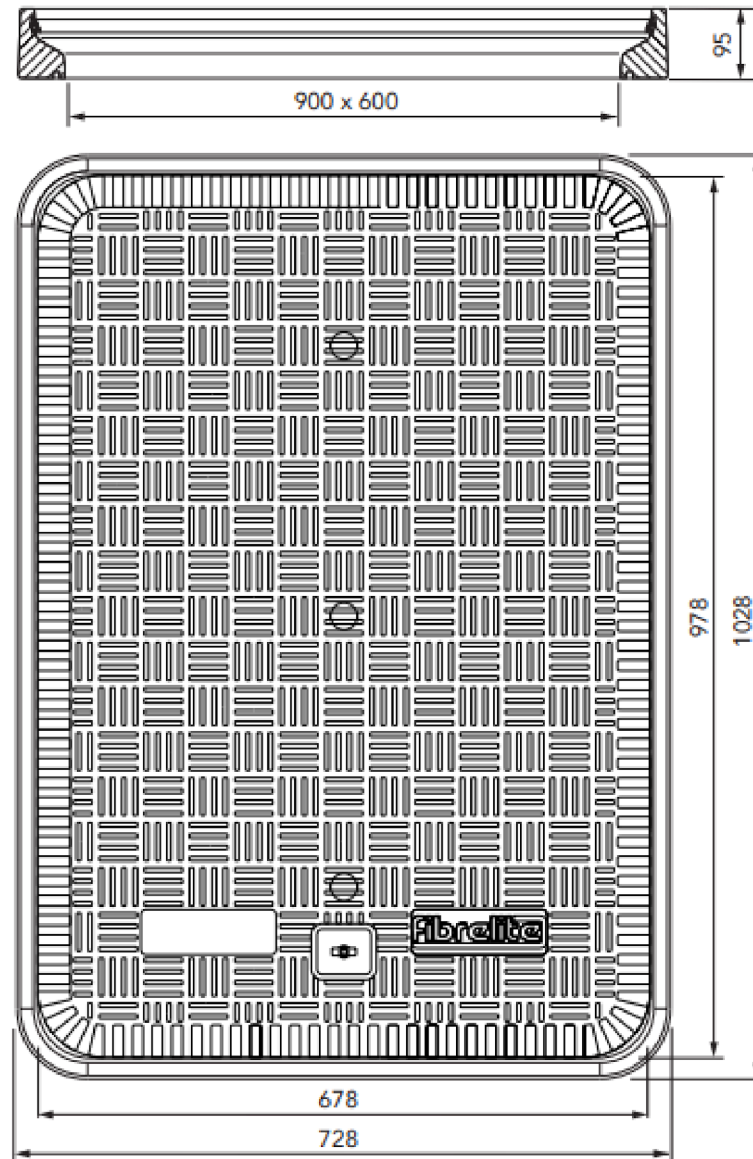


FL96





Load Rating	Cover Weight	Frame Weight
A15	16 kg	11 kg
B125	19 kg	11 kg
C250	28 kg	11 kg
D400	38.5 kg	11 kg
E600	47 kg	13.3 kg

CONCRETE

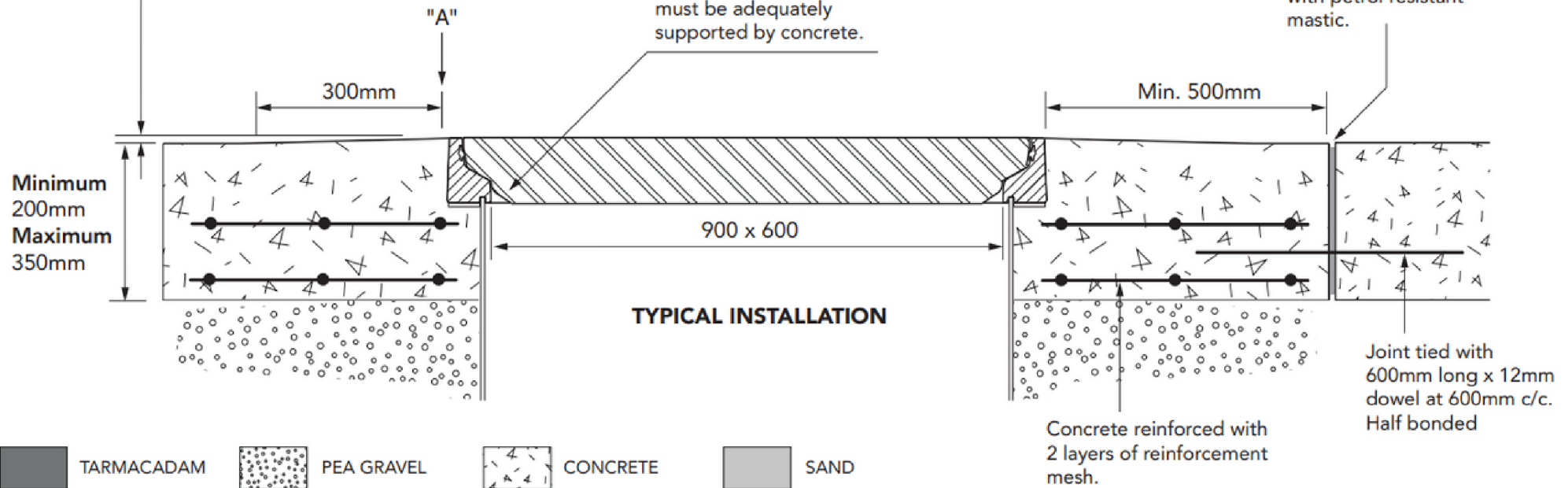
VERY IMPORTANT

OUTER EDGE "A" OF FRAME SET 5MM ABOVE GENERAL FORECOURT AREA WITH CONCRETE RAMPED AWAY OVER 300MM

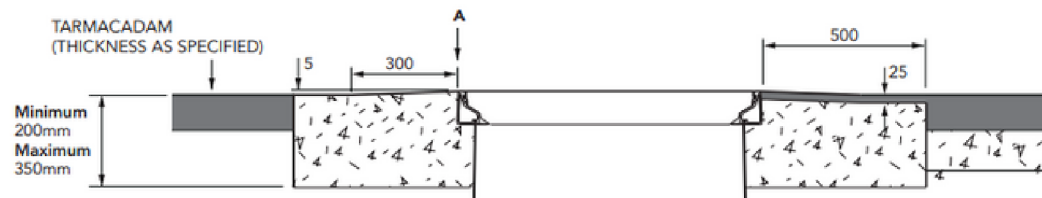
VERY IMPORTANT

The underside of the frame must be adequately supported by concrete.

Expansion joint filled with petrol resistant mastic.



TARMACADAM



SETTS

