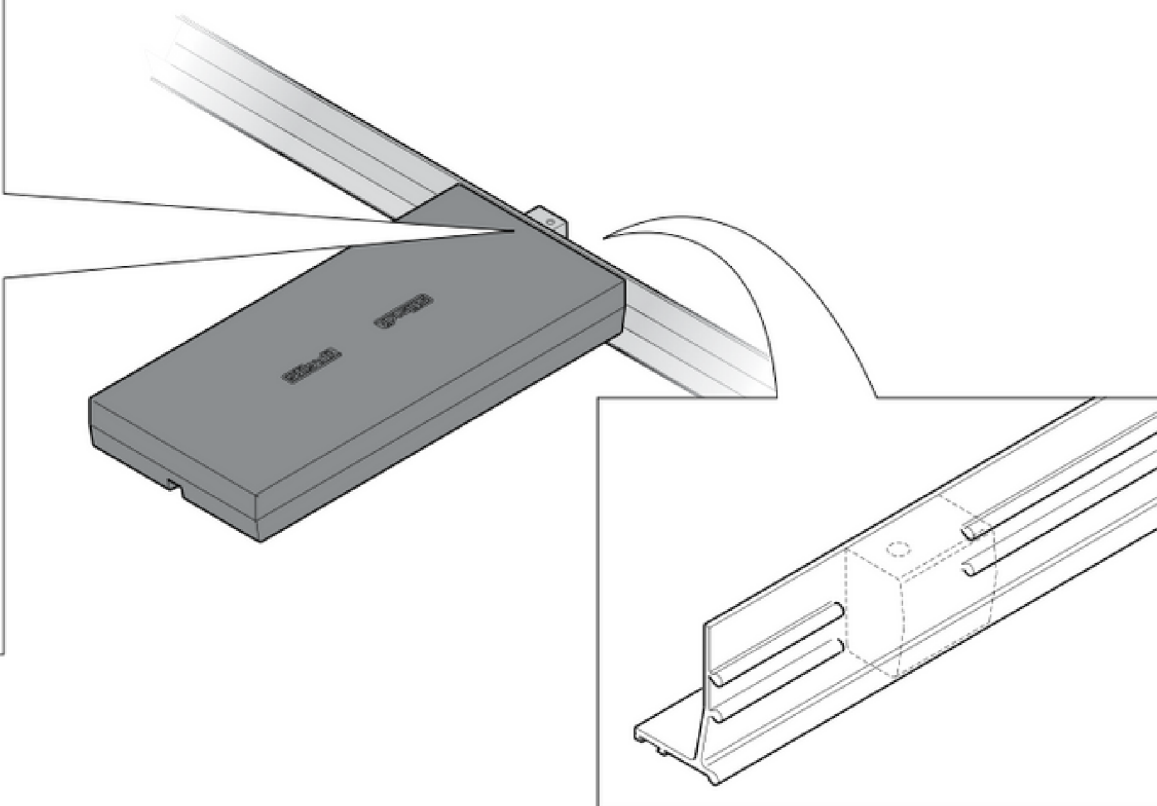
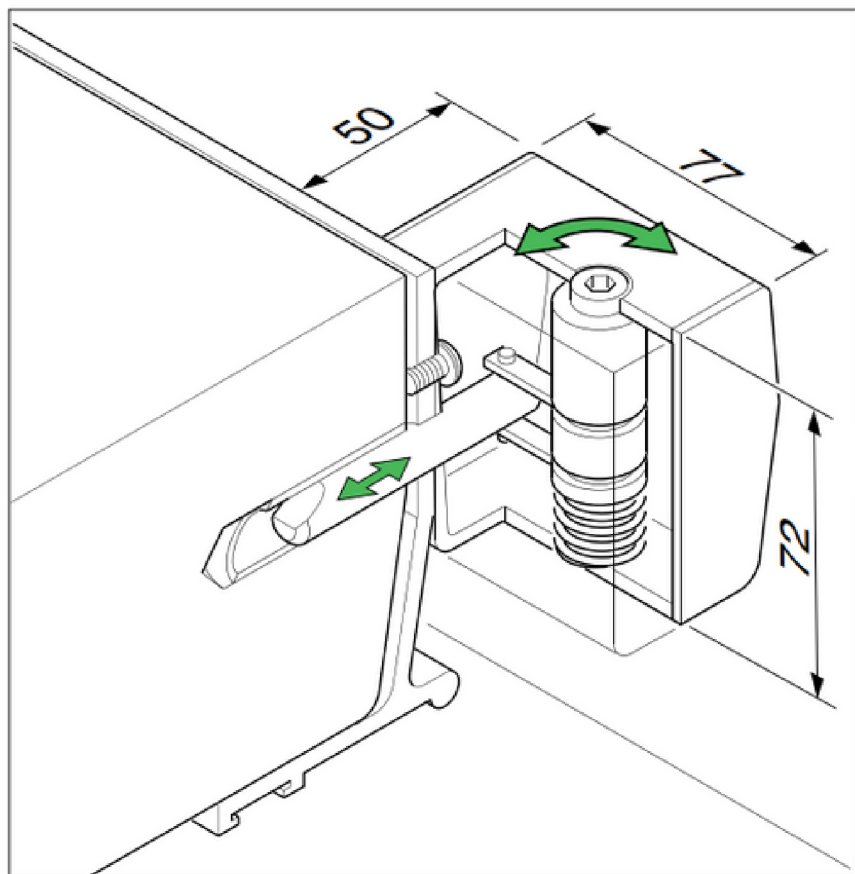


FM-117-L



Detail showing ribs cut away to accept lock housing