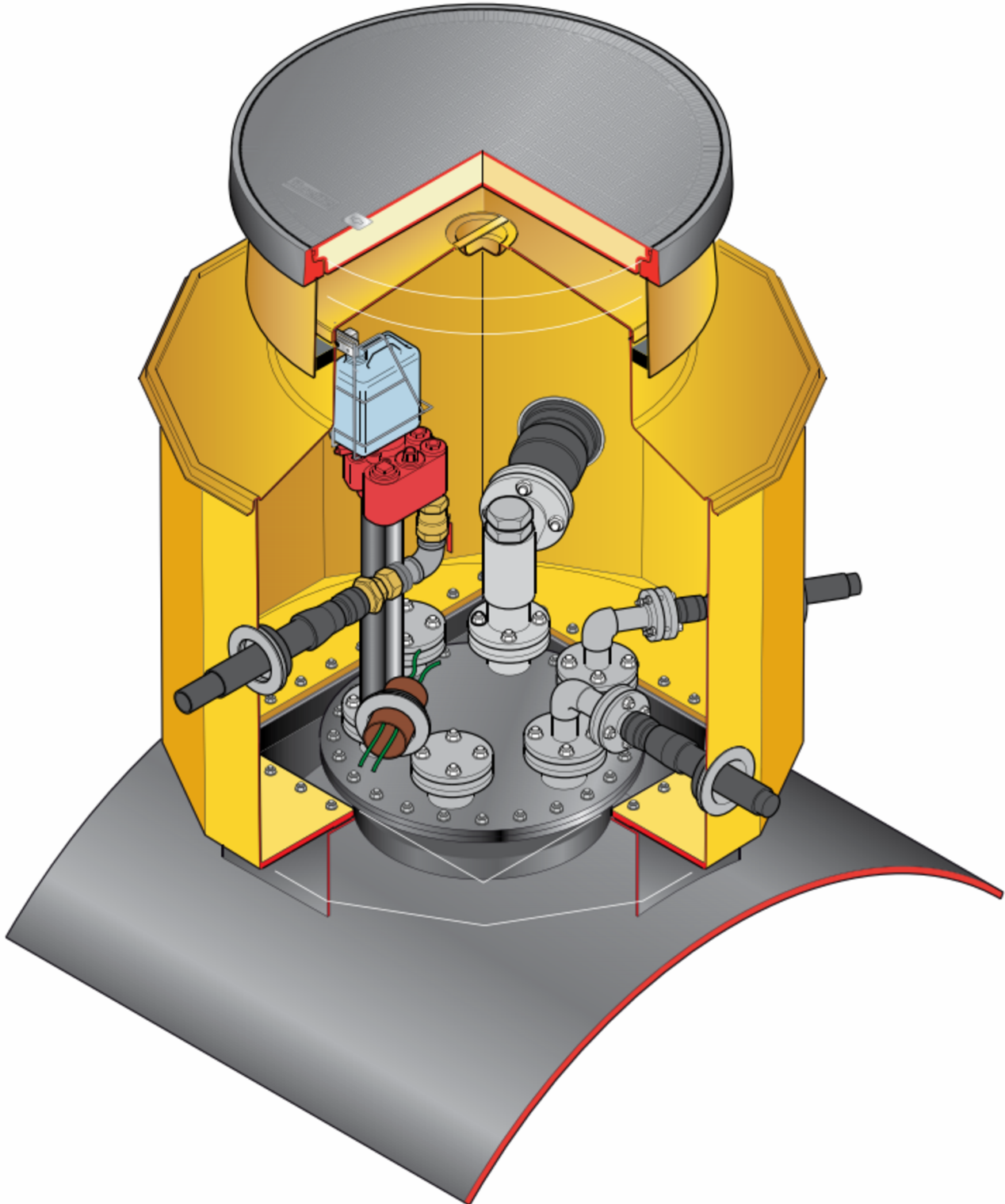
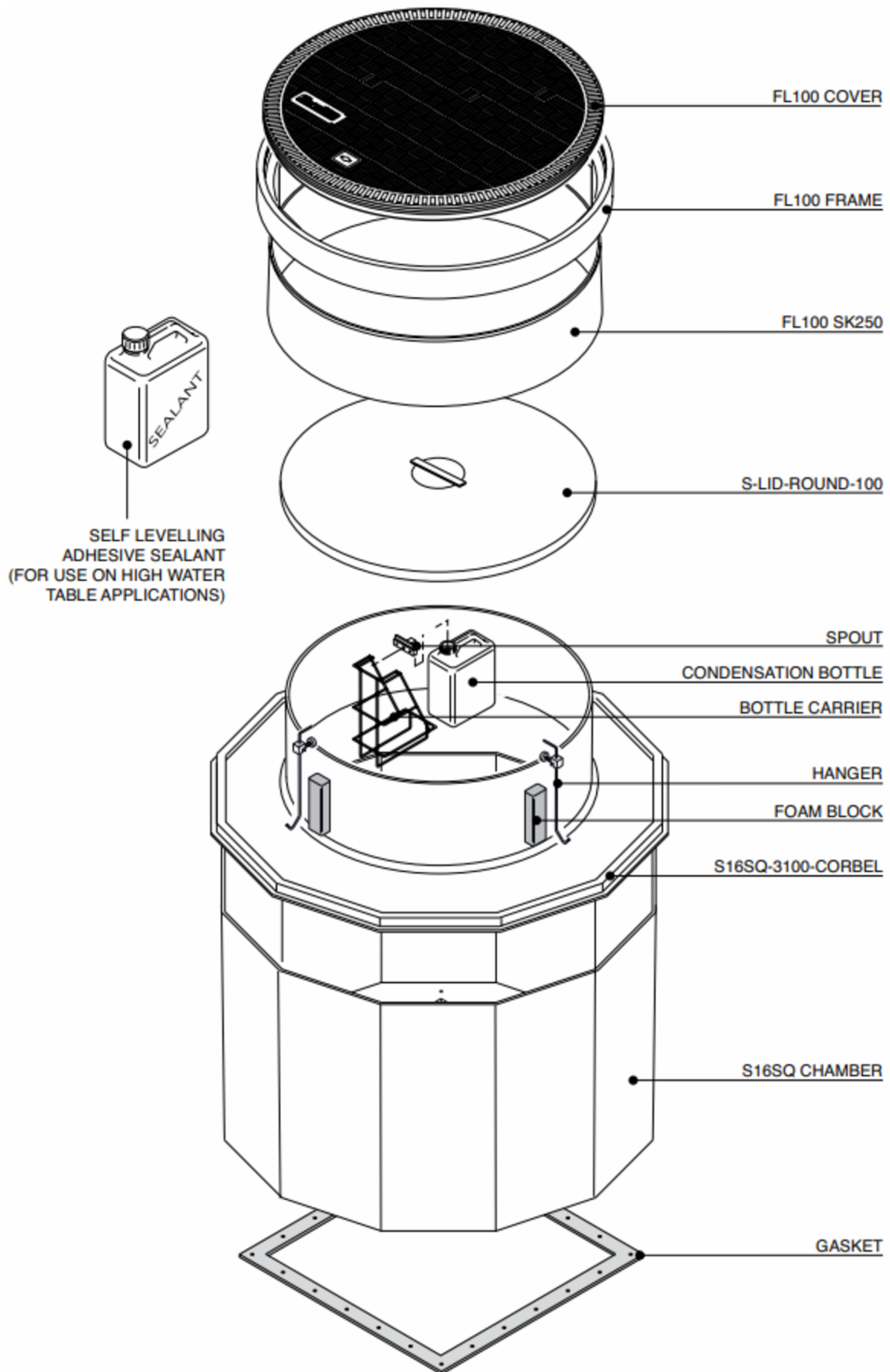
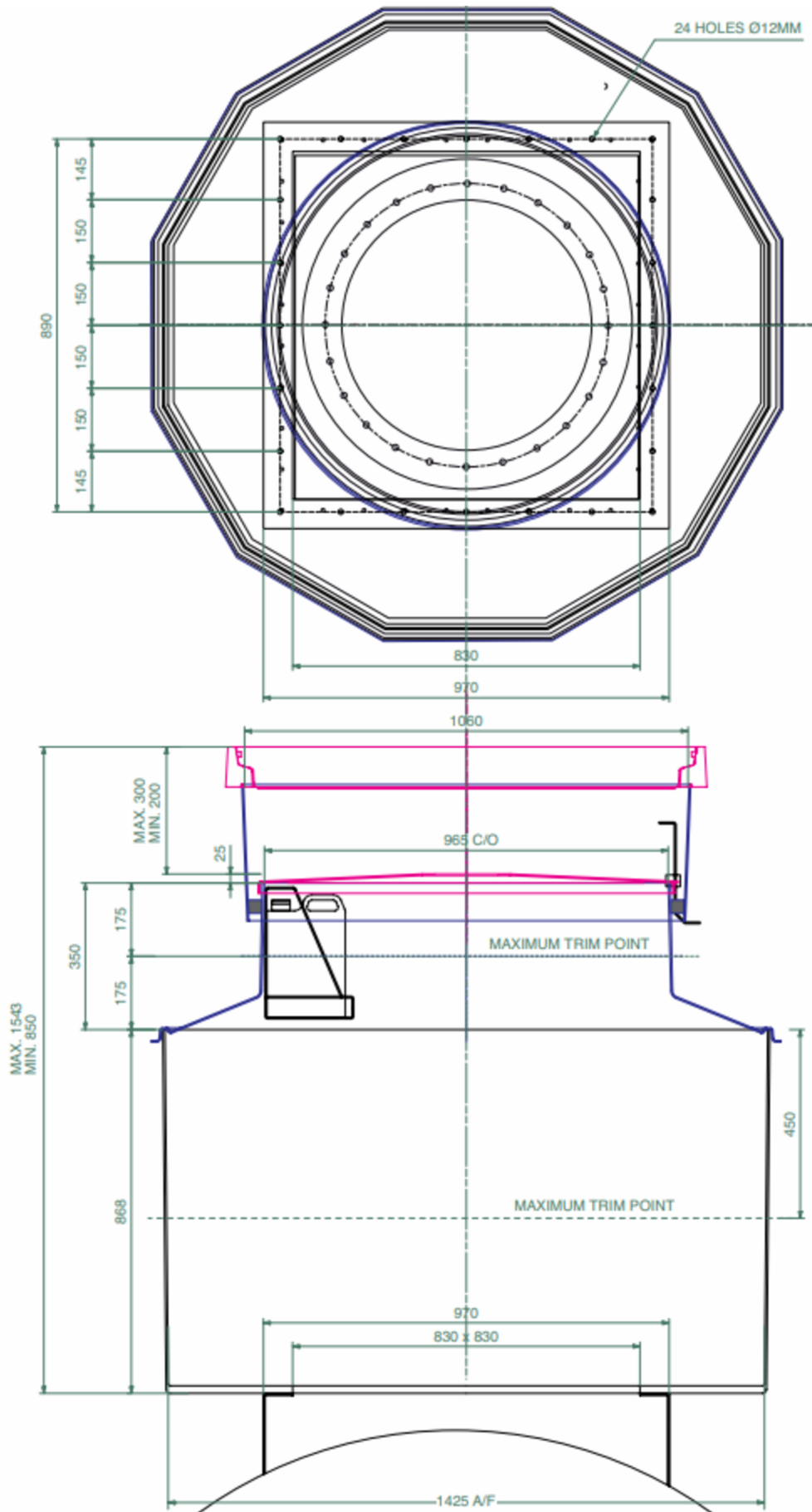


S16SQ-3100

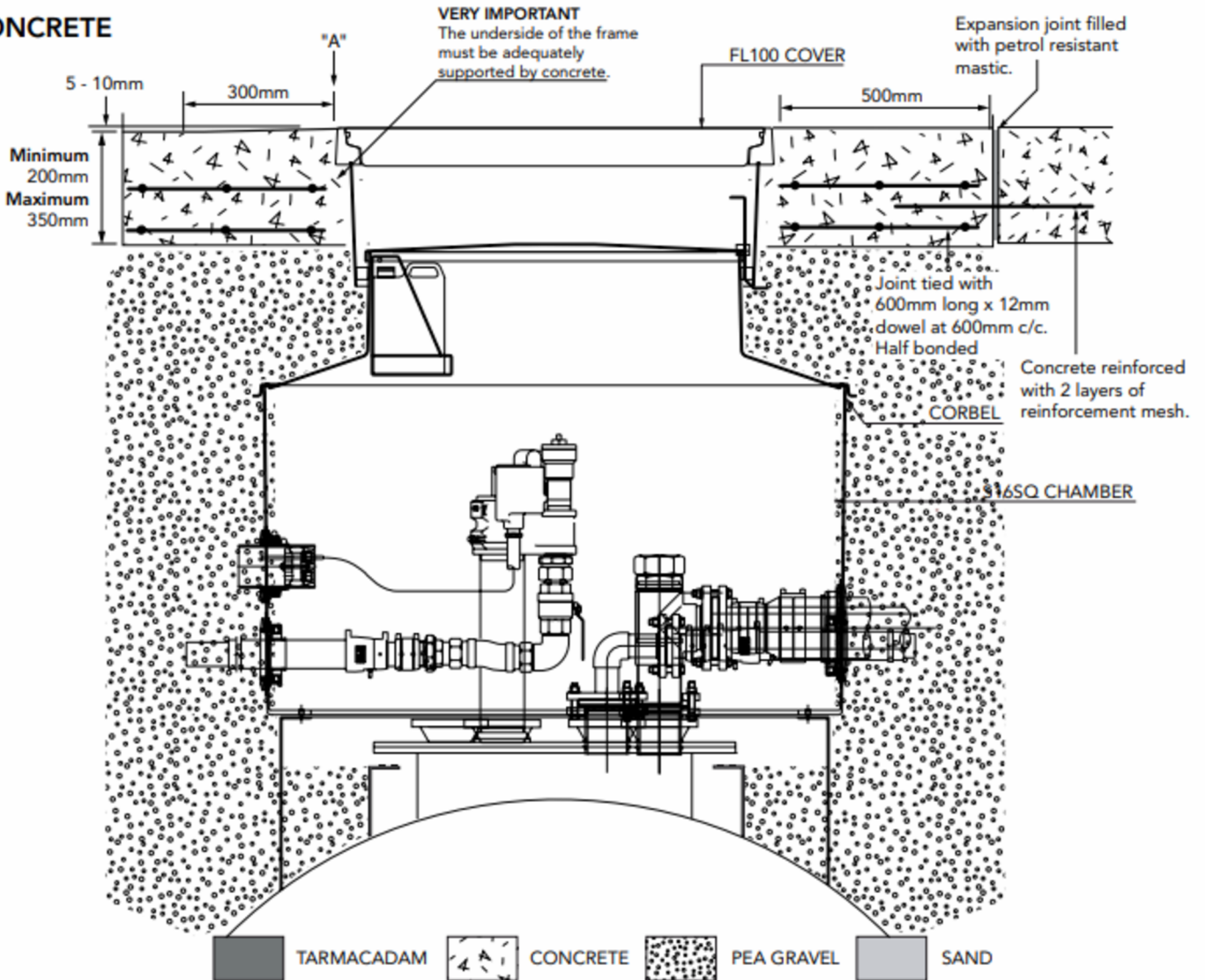






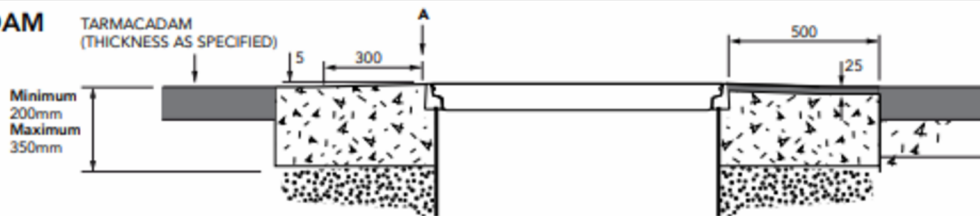
TYPICAL INSTALLATION

CONCRETE



ALTERNATIVE INSTALLATION ADVICE

TARMACADAM



SETTS

