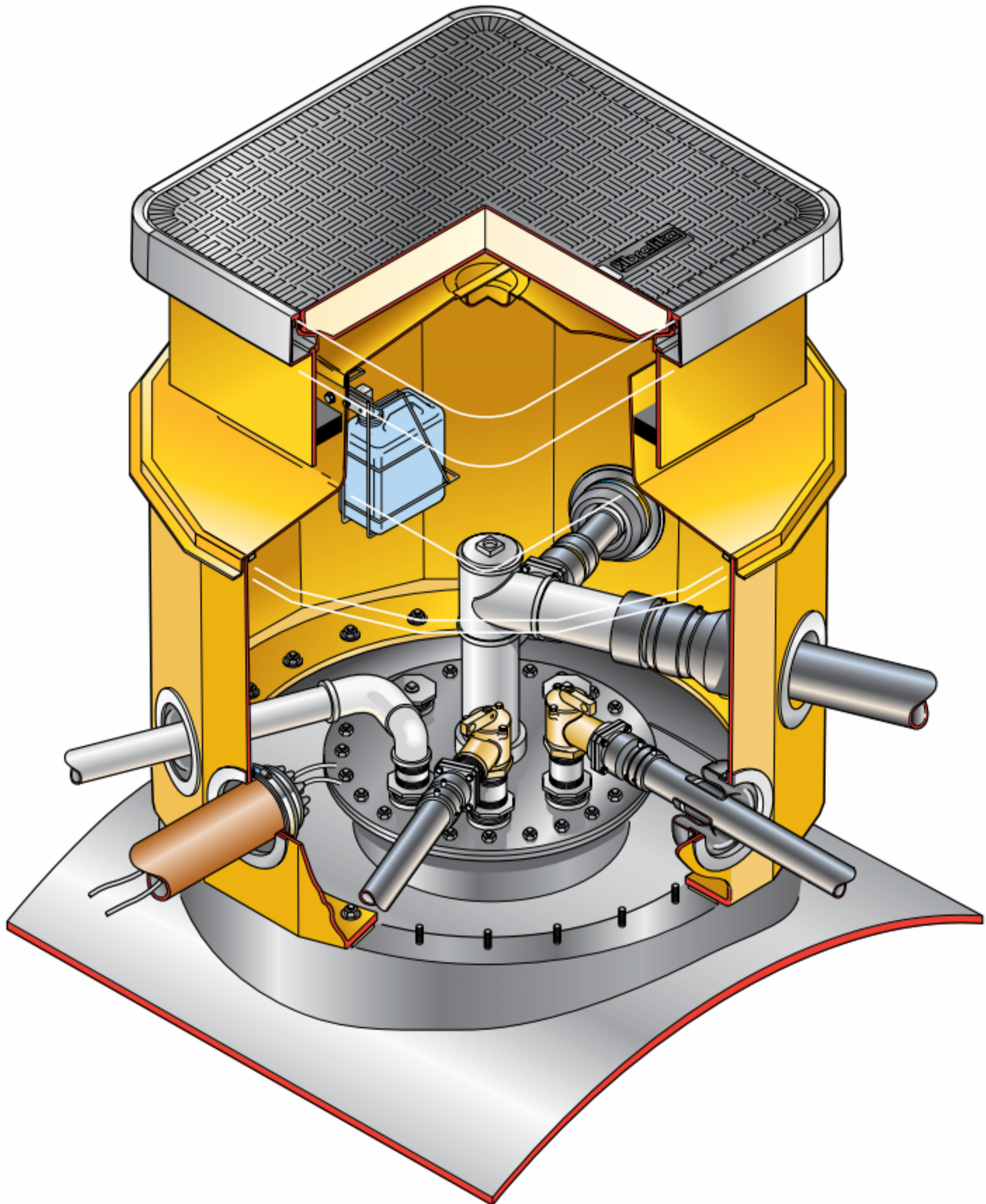
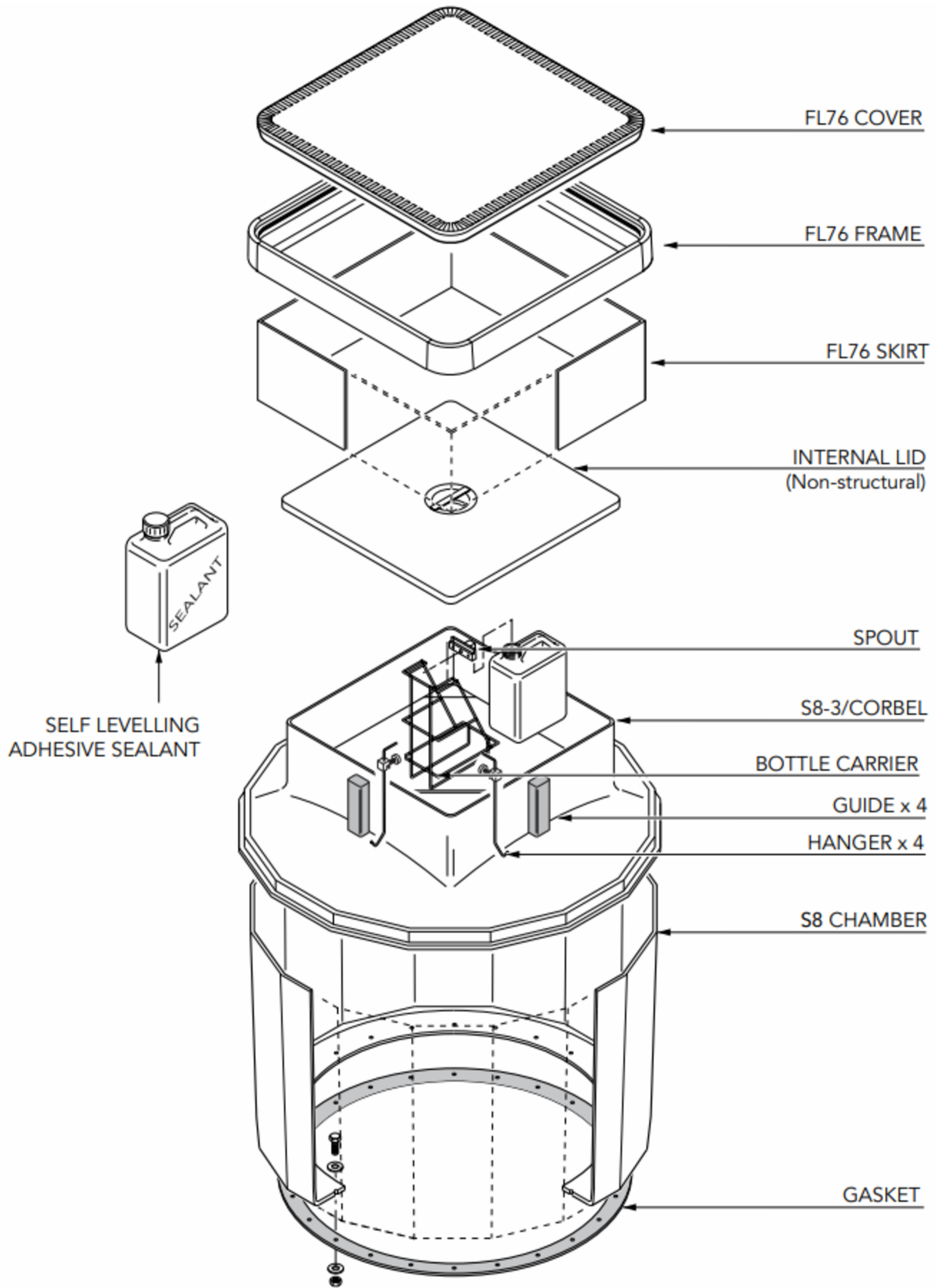
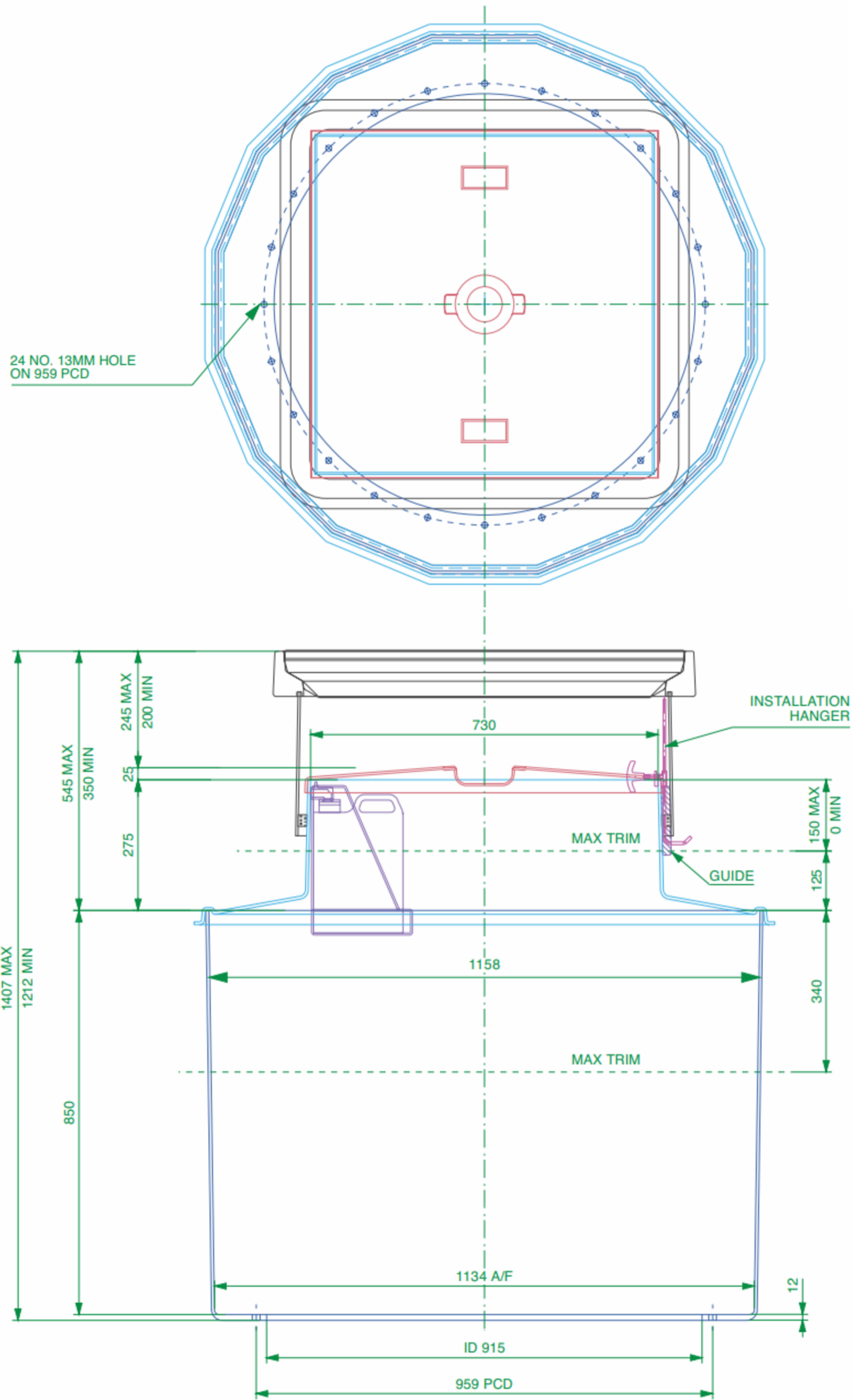


S8-376

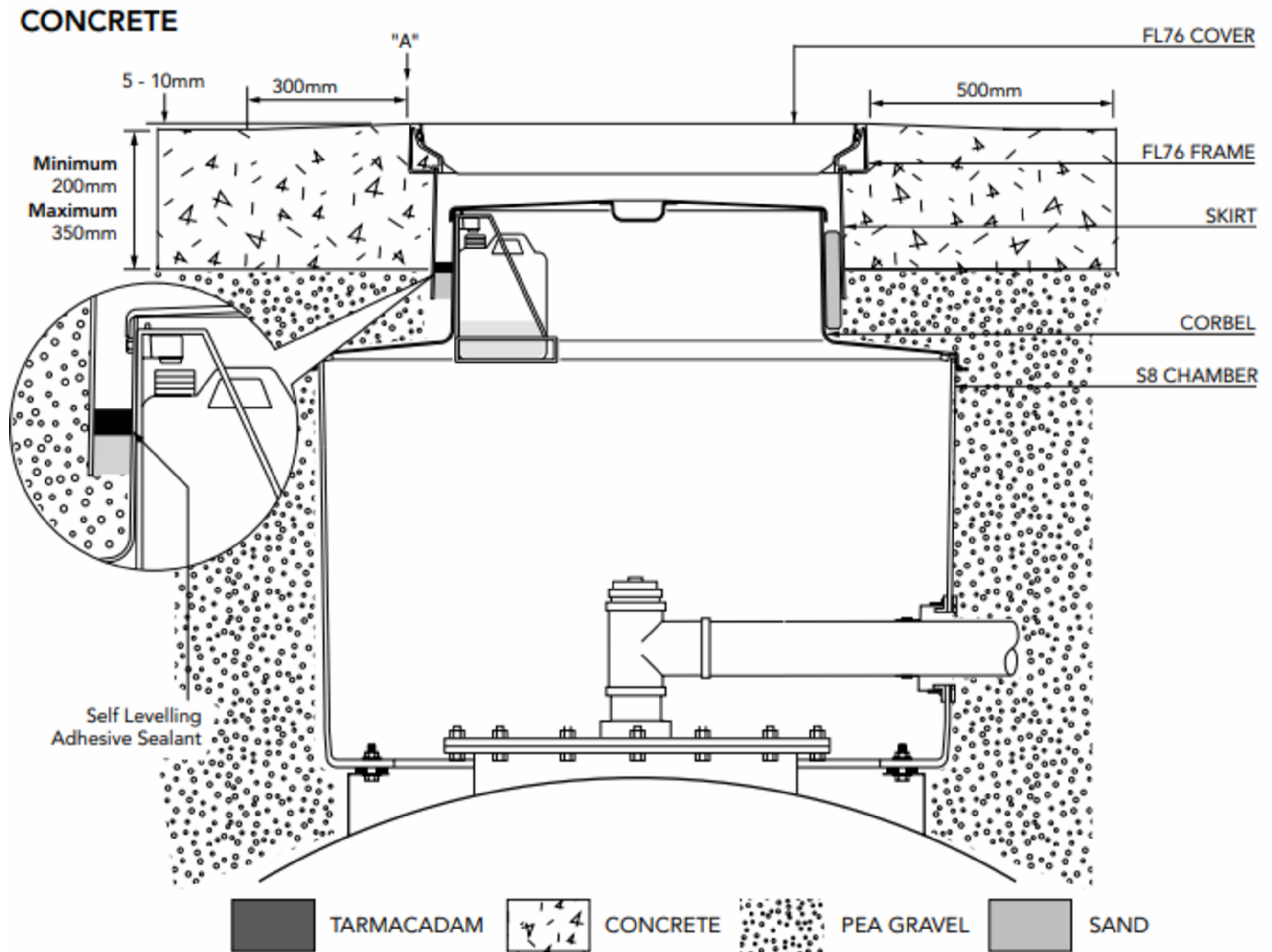






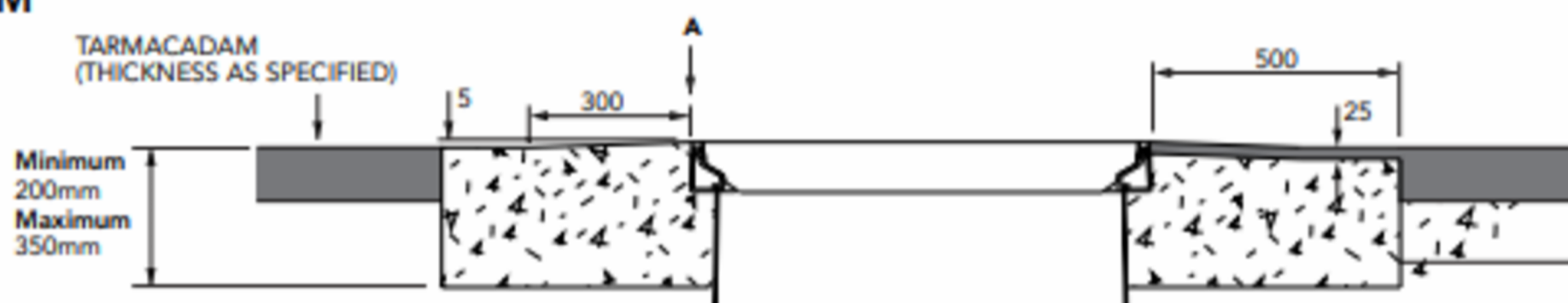
! VERY IMPORTANT !
 OUTER EDGE "A" OF FRAME SET 5 - 10MM ABOVE GENERAL FORECOURT AREA WITH CONCRETE RAMPED AWAY OVER 300MM.

TYPICAL INSTALLATION

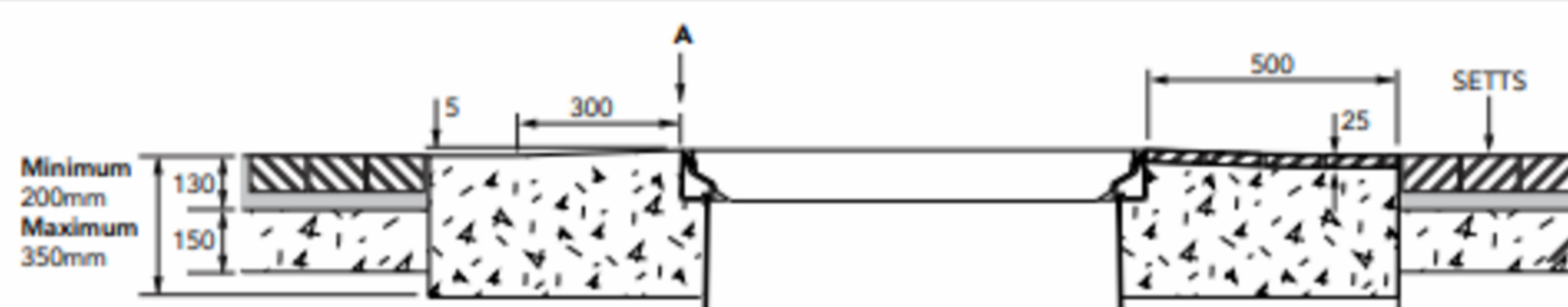


ALTERNATIVE INSTALLATION ADVICE

TARMACADAM



SETTS



System shown with S/CS/SEALKIT