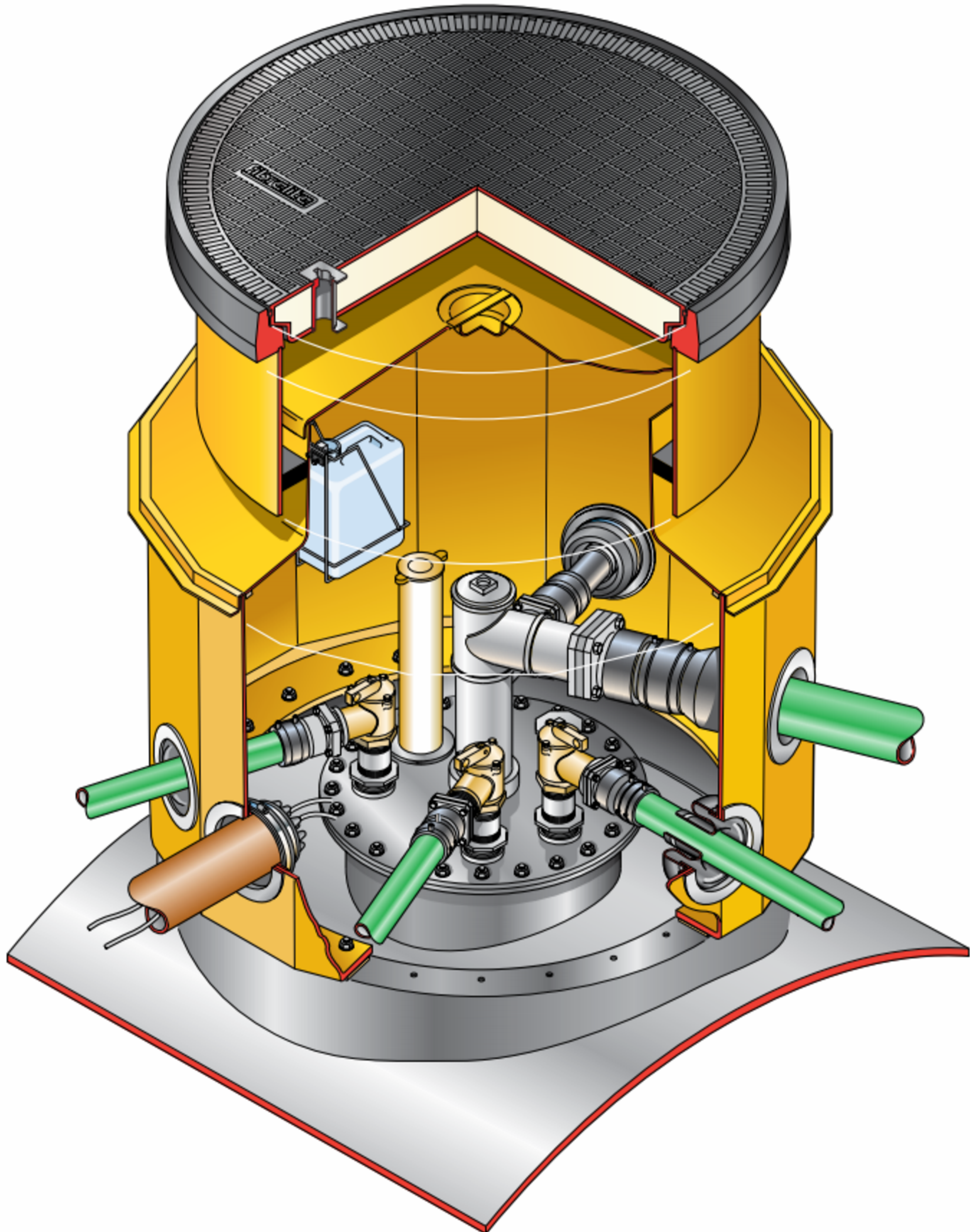
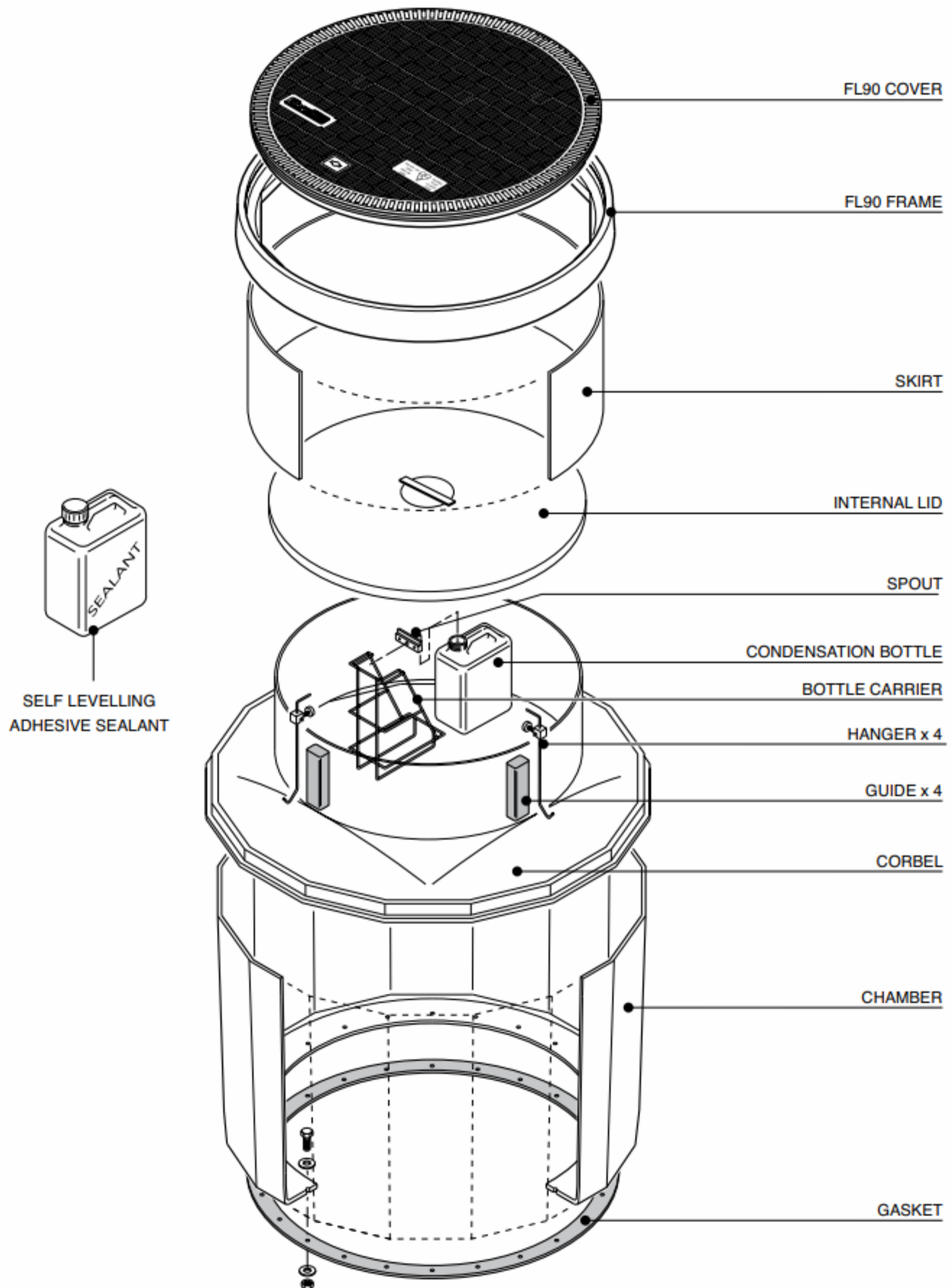
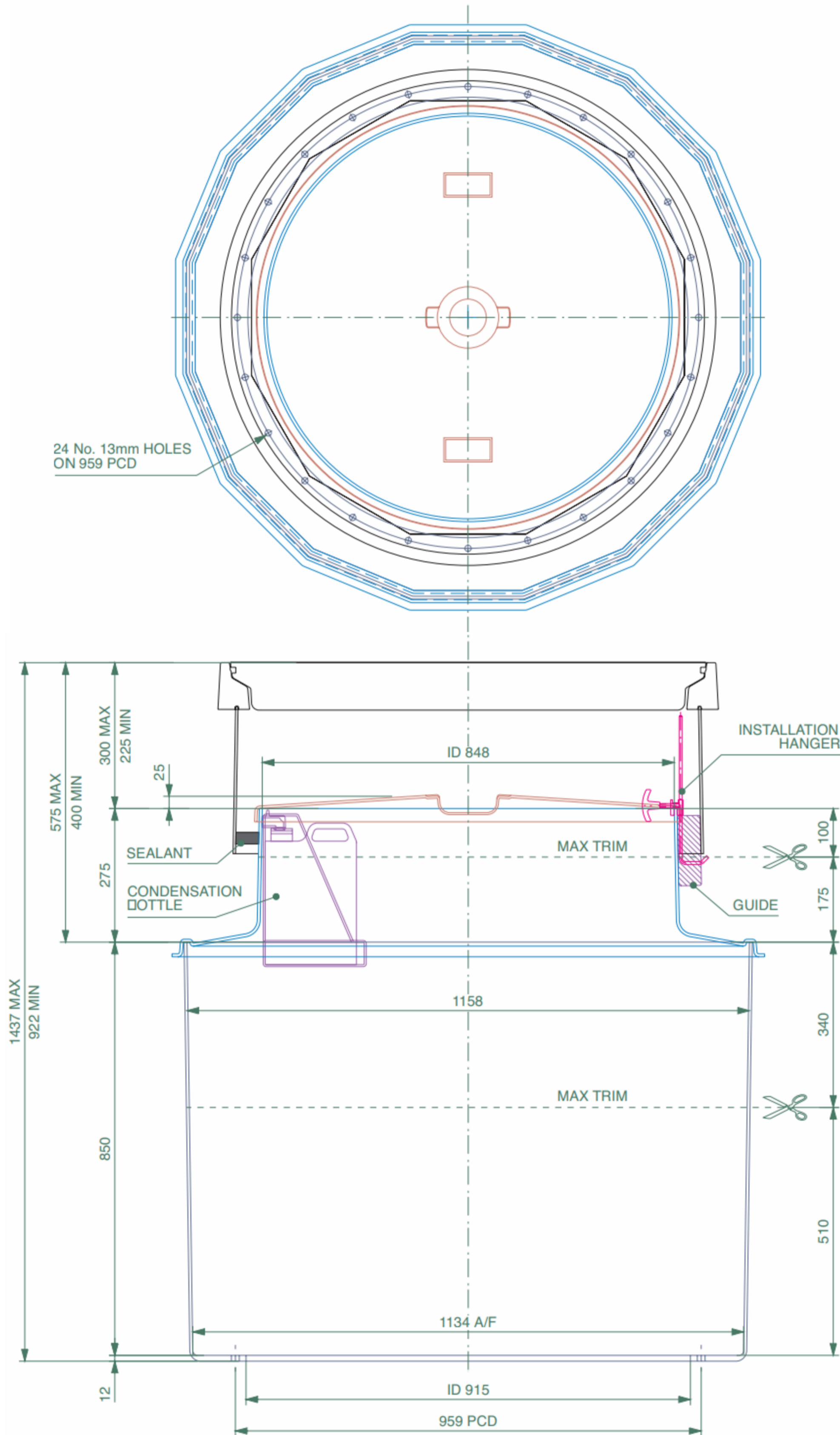


# S8-390







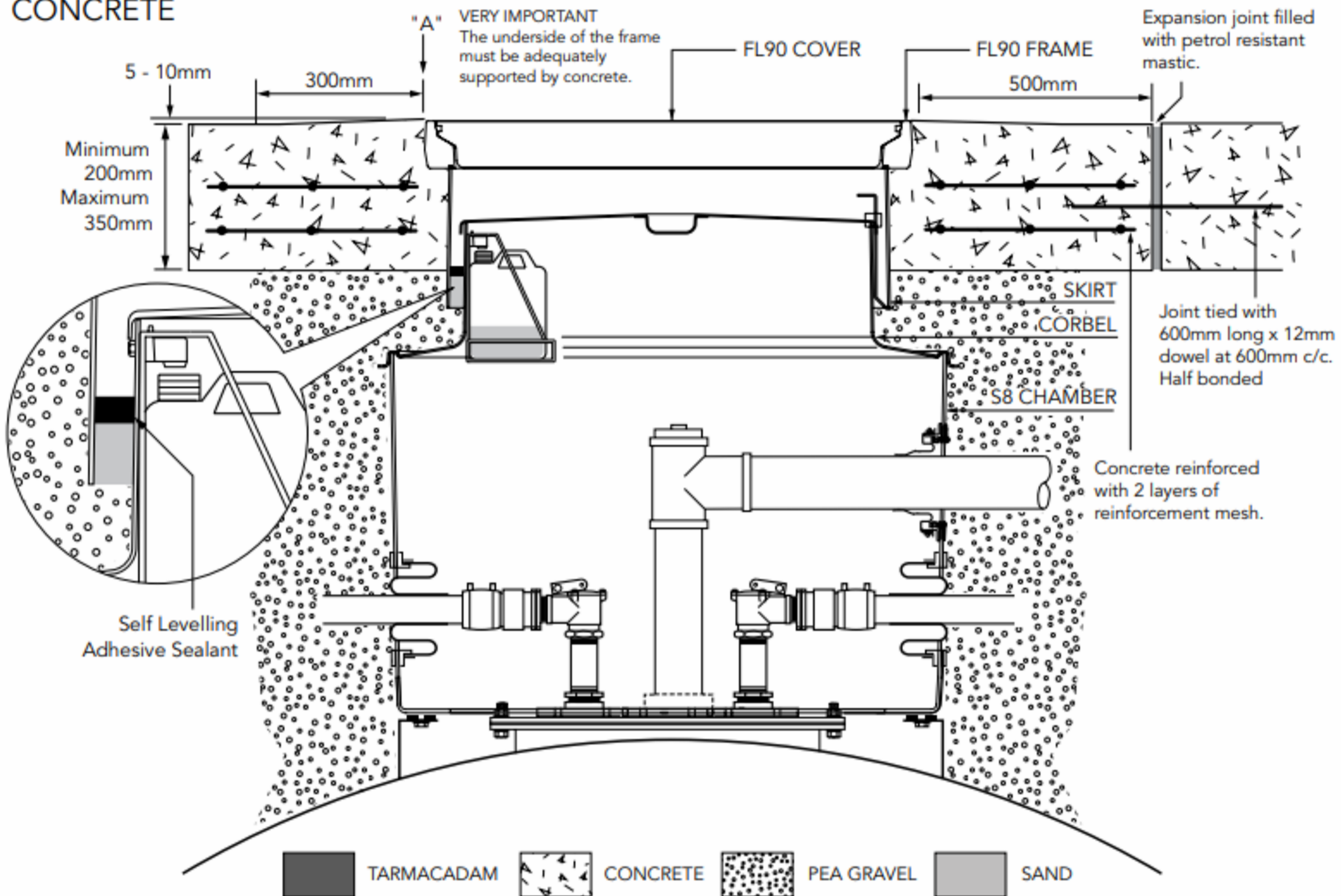




**VERY IMPORTANT**  
 OUTER EDGE "A" OF FRAME SET 5 - 10MM  
 ABOVE GENERAL FORECOURT AREA WITH  
 CONCRETE RAMPED AWAY OVER 300MM.

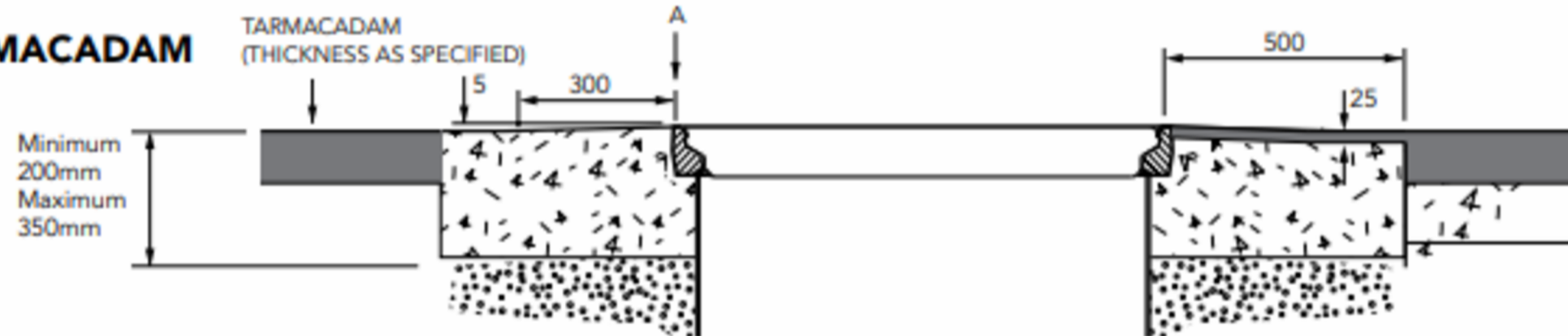
## TYPICAL INSTALLATION

### CONCRETE



## ALTERNATIVE INSTALLATION ADVICE

### TARMACADAM



### SETTS

